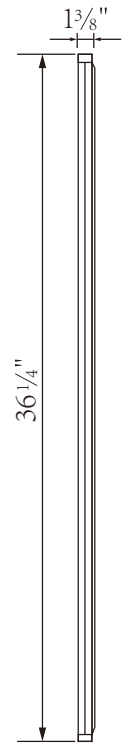
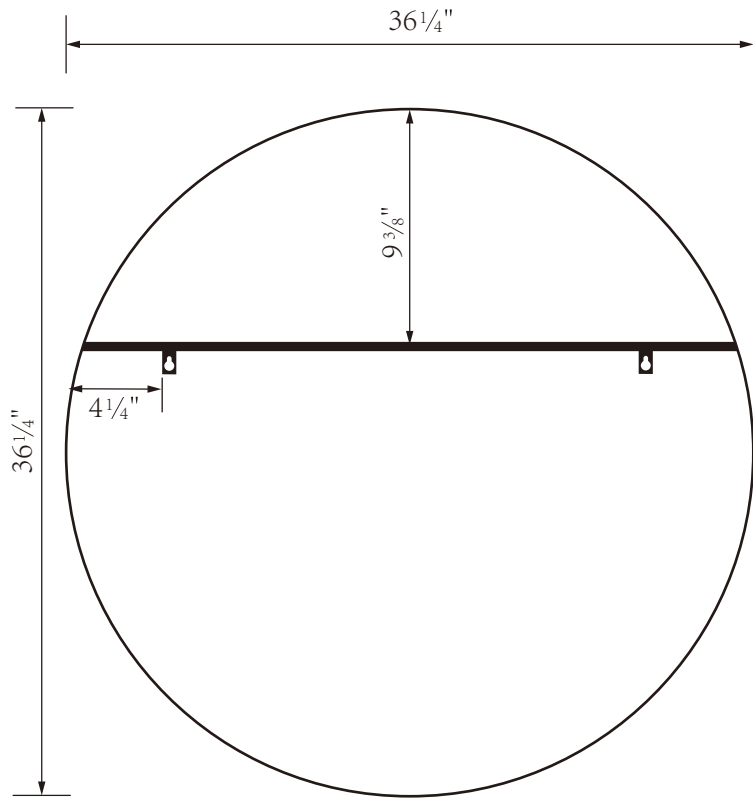


Front View



Side View



Back View

DWG. NO.

MODEL NO:  
MR633636BR

SPEC NO:

QUANTITY:

DATE:

CHECKED BY:

FOR PROPOSAL ONLY ALL  
DIMENSIONS TO BE VERIFIED

PROJECT:

COLOR:

FINISH:


REVISIONS

①	
②	
③	
④	
⑤	
⑥	



500-550 E. Erie Avenue  
Philadelphia PA 19134  
1-888-388-3390

Model #	Product Type	Style	Product Width (in)	Product Depth (in)	Product Height (in)	Mirror Width	Mirror Depth
MR633636BR	Mirror	Contemporary	36.25	1.38	36.25	34.5	0.16
Mirror Height	Frame shape	Orientation	Frame finish	Frame material	Mounting / attachment type	Number of brackets	Beveled glass
34.5	Round	Vertical	Brass	Metal	Metal Inset hanger	2	No
Frameless	Package LENGTH	Packaged WIDTH	Packaged HEIGHT	Package Weight	Product weight	Shipment Type	
No	40.75	40.75	3.15	13.7	10.06	Small Parcel	

DWG. NO.	
MODEL NO: MR633636BR	
SPEC NO:	
QUANTITY:	
DATE:	
CHECKED BY:	
FOR PROPOSAL ONLY ALL DIMENSIONS TO BE VERIFIED	
PROJECT:	
COLOR:	
FINISH:	
REVISIONS	
①	
②	
③	
④	
⑤	
⑥	
 <b>ELEGANT</b> FURNITURE & LIGHTING™	
500-550 E. Erie Avenue Philadelphia PA 19134 1-888-388-3390	